



**RENAULT STANDARDS
RENAULT STANDARTLARI
RENAULT NORMALIEN**

1

INDEX
İNDEKS
STICHWORTVERZEICHNIS

2

LIFTING ELEMENTS
TAŞIMA ELEMANLARI
TRAGELEMENTE

3

GUIDE ELEMENTS
KILAVUZ ELEMANLARI
FÜHRUNGSELEMENTE

4

DIE COMPONENTS
KALIP ELEMANLARI
NORMALIEN

5

BMW STANDARDS
BMW STANDARTLARI
BMW NORMALIEN

6

FCA STANDARDS
FCA STANDARTLARI
FCA NORMALIEN

7

FORD STANDARDS
FORD STANDARTLARI
FORD NORMALIEN

8

MERCEDES-BENZ STANDARDS
MERCEDES-BENZ STANDARTLARI
MERCEDES-BENZ NORMALIEN

9

OPEL STANDARDS
OPEL STANDARTLARI
OPEL NORMALIEN

10

PSA STANDARDS
PSA STANDARTLARI
PSA NORMALIEN

11

RENAULT STANDARDS
RENAULT STANDARTLARI
RENAULT NORMALIEN

12

VW - AUDI STANDARDS
VW - AUDI STANDARTLARI
VW - AUDI NORMALIEN

13

SPRINGS
YAYLAR
FEDERN

14

OTHER COMPONENTS
DİĞER MALZEMELER
ANDERE KOMPONENTE

15

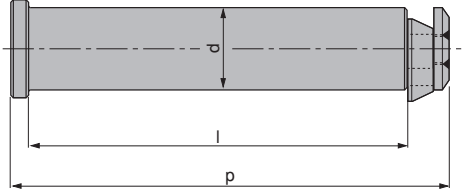
TECHNICAL DATA
TEKNİK BİLGİ
TECHNISCHE INFORMATIONEN

Index

Contents	Page	Contents	Page
 <p>EM24.50.400/F Lifting Pins Taşıma Milleri Tragbolzen Mit Fallringsicherung</p>	11.5	 <p>EM24.52.100/J Toe Clamp Burç Tutucu Haltestück</p>	11.9
 <p>EM24.50.400/F Lifting Brackets With Pins CNOMO Taşıma Braketleri CNOMO Tragwange Mit Tragbolzen Nach CNOMO Norm</p>	11.5	 <p>EM24.52.100/J Toe Clamp Burç Tutucu Haltestück</p>	11.9
 <p>EM24.52.100/J Guide Post Kılavuz Kolonu Führungssäule</p>	11.6	 <p>EM24.52.100/J Locating Cone Konik Merkezleme Üniteleri Kegeldistanz</p>	11.10
 <p>EM24.52.100/J Guide Post Retainer Ring Kolon Segmanları Haltering für Führungssäule</p>	11.7	 <p>EM24.52.300/C Wear Plates, self-lubricating Grafitli Bronz Kılavuz Plakalar Gleitplatte Bronze mit Festschmierstoff</p>	11.11
 <p>EM24.52.100/J Flange for Median Retaining Column Kolon Tutucu Flanşlar Haltestück für Führungssäule</p>	11.7	 <p>EM24.52.300/C Wear Plates, self-lubricating Çelik Kanallı Kılavuz Plakalar Gleitplatten, Stahl mit Ölschmiernt</p>	11.12
 <p>EM24.52.100/J Guide Bushes with collar, self-lubricating Faturalı Grafitli Kılavuz Burçlar Führungsbuchsen mit Bund</p>	11.8	 <p>EM24.52.500/B "L" Shaped Wear Plates, self-lubricating Grafitli Bronz "L" Kılavuz Plakalar Winkelleisten Bronze mit Festschmierstoff</p>	11.13
 <p>EM24.52.100/J Guide Bushes with collar, oil groove Faturalı Grafitli Kılavuz Burçlar Führungsbuchsen mit Bund, Ölschmiernt</p>	11.8	 <p>EM24.52.500/B Slider Kızaklama Plakası Führungsleiste</p>	11.13

Index

Contents	Page	Contents	Page
 <p>EM24.55.100/G Pad Retainer Pins Emniyet Pimleri Steckbolzen</p>	11.14		
 <p>EM24.55.100/G Pad Retainer Pins Emniyet Pimleri Steckbolzen</p>	11.14		
 <p>EM24.55.100/G Shock Absorber for Pad Retainer Pins Emniyet Pimleri İçin Amortisör Vulkolonlar Halteelement</p>	11.15		
 <p>EM24.59.500/J Visual Locator Setting Punch Konum İz Zımbası Endkontrollstempel</p>	11.15		
 <p>EM24.59.500/I Stamp Retainer Zimba Tutucu Halteplatte</p>	11.16		
 <p>EM24.59.500/I Backing Plate Zimba Destek Plakası Druckplatte</p>	11.16		



Material :
CK45

WARNING !

For safety reasons, the weight of the tool has to be supported by just two lifting pins.
Respect the max load

UYARI !

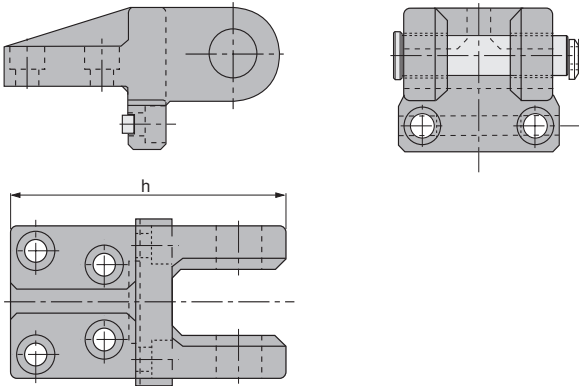
Güvenlik nedeniyle kalıp ağırlığı iki adet taşıma piminin taşıyabileceği maksimum yük miktarını aşmamalıdır.
Maksimum yükü göz ardı etmeyiniz

ACHTUNG !

Aus Sicherheitsgründen achten Sie immer dass zwei Tragbolzen das gesamte Werkzeugs gewicht tragen müssen.
Maximale Nutzlast beachten

RENAULT Code: EM24.50.400/F

RENAULT Code	Max. Load (Kg)	Max. Die Weight (Kg)	d	l	p
P 953 254 770	6000	12000	32	132	154
P 953 255 870	9000	18000	40	170	197,75
P 953 256 670	14000	28000	50	212	247,60
P 953 257 470	22500	45000	63	265	309



Material :
CK45
800 ÷ 1000 N/mm²
Forged

WARNING !

For safety reasons, the weight of the tool has to be supported by just two lifting pins.
Respect the max load

UYARI !

Güvenlik nedeniyle kalıp ağırlığı iki adet taşıma piminin taşıyabileceği maksimum yük miktarını aşmamalıdır.
Maksimum yükü göz ardı etmeyiniz

ACHTUNG !

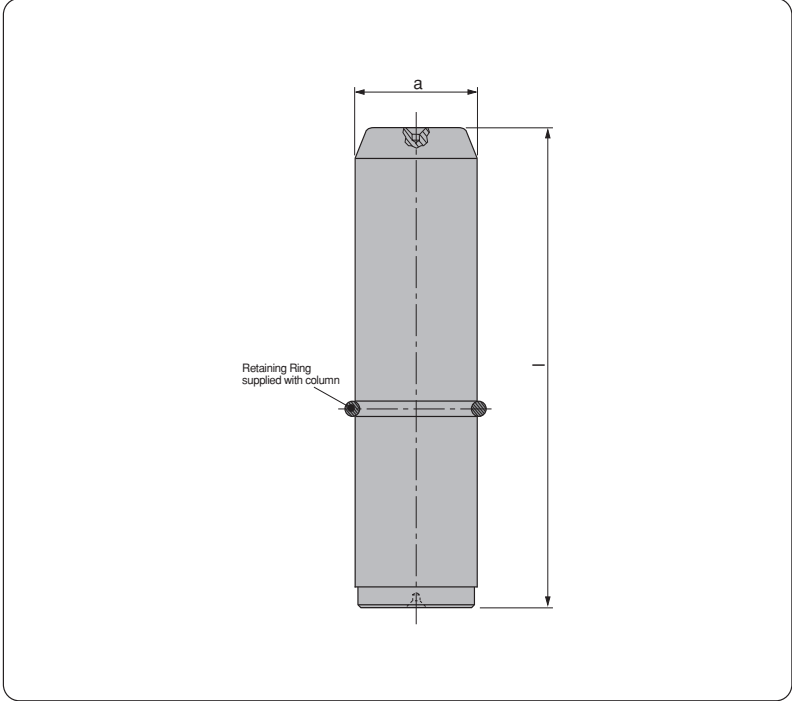
Aus Sicherheitsgründen achten Sie immer dass zwei Tragbolzen das gesamte Werkzeugs gewicht tragen müssen.
Maximale Nutzlast beachten

RENAULT Code: EM24.50.400/F

RENAULT Code	Max. Load (Kg)	Max. Die Weight (Kg)	h
P 953 548 270	4000	8000	221
P 953 549 070	6300	12600	270



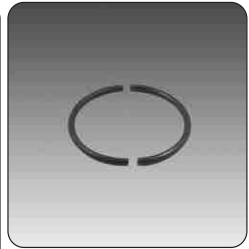
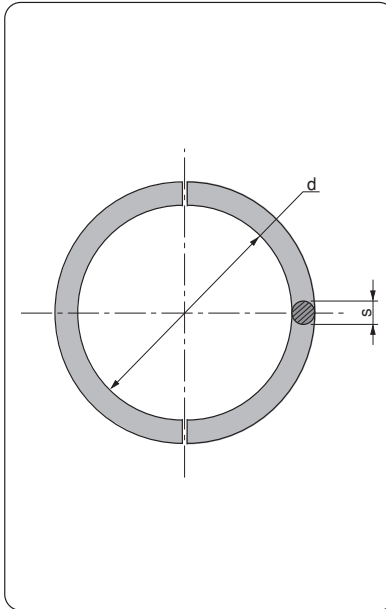
Material :
16MnCr5
Hardened
HRC 60 ÷ 62



RENAULT Code: EM24.52.100/J

RENAULT Code	a	l
R100 018 363	25	125
P446 116 817	32	140
P446 116 815	32	160
P446 116 816	32	200
P446 118 100	50	224
P446 118 101	50	280
P446 118 701	63	250
P446 118 707	63	280
P446 118 702	63	315
P446 119 200	80	315
P446 119 201	80	355
R100 221 692	80	400
P446 119 800	100	400
P446 119 801	100	450

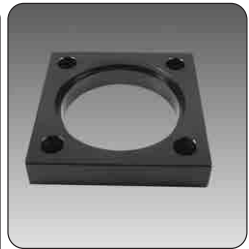
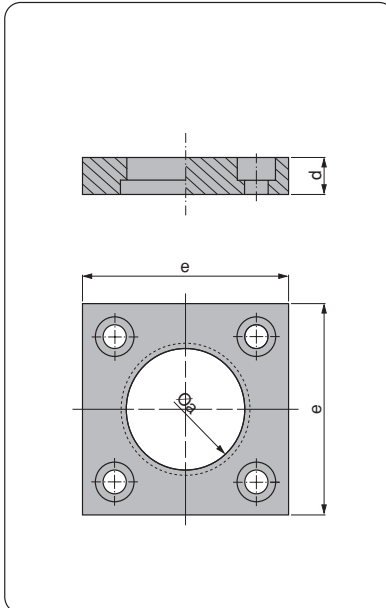
RENAULT Code	d	s
P446 180 100	17,5	2,5
P446 180 200	22,5	2,5
P446 180 300	28	4
P446 180 400	36	4
P446 180 500	46	4
P446 180 600	57	6
P446 180 700	74	6
P446 180 800	94	6



Material :
Steel

RENAULT Code: EM24.52.100/J

RENAULT Code	a	d	e
P483 763 900	20	10	40
P483 784 100	25	10	45
P483 784 600	32	10	56
P483 795 100	40	12	70
P483 795 401	50	14	80
P483 795 801	63	18	100
P483 796 001	80	20	110
P483 796 401	100	20	140

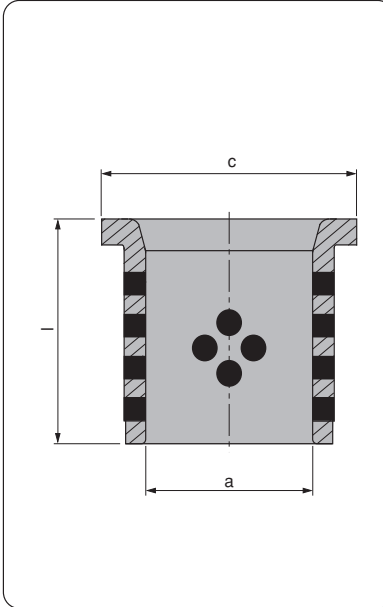


Material :
CK45

RENAULT Code: EM24.52.100/J

EM24.52.100/J

Guide Bushes with collar, self-lubricating
Faturalı Grafittli Kılavuz Burçlar
Führungsbuchsen mit Bund



RENAULT Code	a	c	l
M764 539 401	40	60	63
M764 544 501	50	71	80
M764 549 501	63	90	100
M764 554 601	80	112	125
X345 298 500	100	140	160

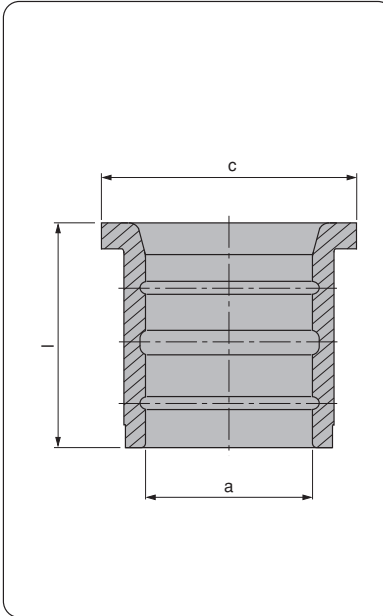
Material :
Bronze with Non-Liquid Lubricant
HB ≥ 190

Direction of Motion

RENAULT Code: EM24.52.100/J

EM24.52.100/J

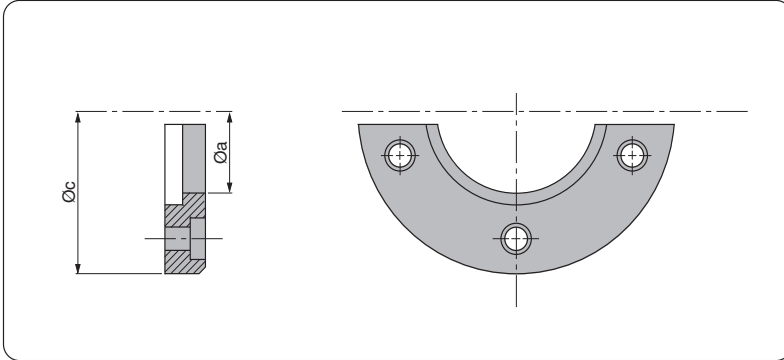
Guide Bushes with collar, oil groove
Faturalı Grafittli Kılavuz Burçlar
Führungsbuchsen mit Bund, Ölschmiernut



RENAULT Code	a	c	l
M255 334 301	20	32	32
M255 339 301	25	40	40
M256 444 401	32	50	50
M256 447 401	40	60	63
M256 451 501	50	71	80
M256 456 502	63	90	100
M256 460 602	80	112	125
X345 098 407	100	140	160

Material :
Bronze with oil groove
HB ≥ 190

RENAULT Code: EM24.52.100/J

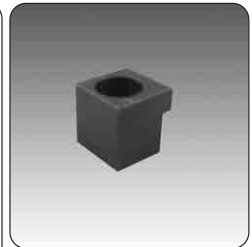
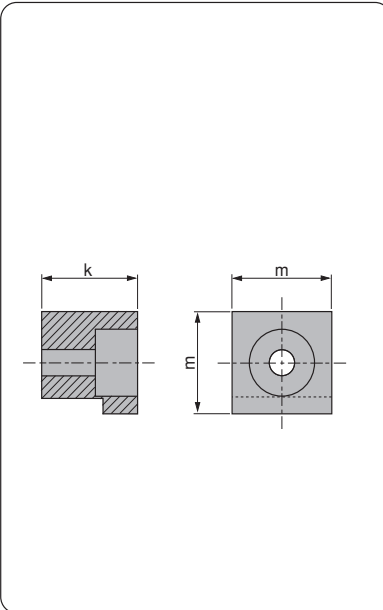


Material :
CK45

RENAULT Code: EM24.52.100/J

RENAULT Code	a	c
M321 530 400	25	63
M321 534 500	32	72
M321 544 501	40	80
M321 548 501	50	100
M321 552 601	63	125
M321 556 601	80	140
M321 560 601	100	180
M321 562 700	125	200

RENAULT Code	k	m
R100 171 981	12	18
R100 171 995	16	22
R100 171 998	20	26
R100 172 000	25	26
R100 172 001	32	26



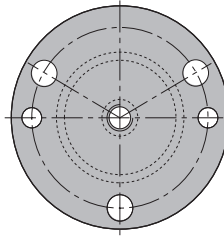
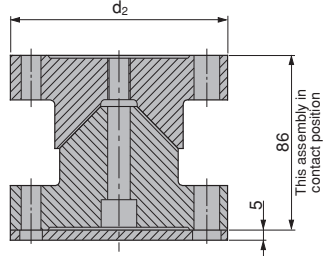
Material :
CK45

RENAULT Code: EM24.52.100/J



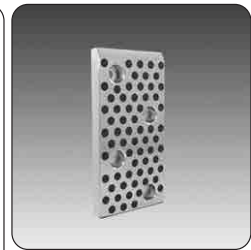
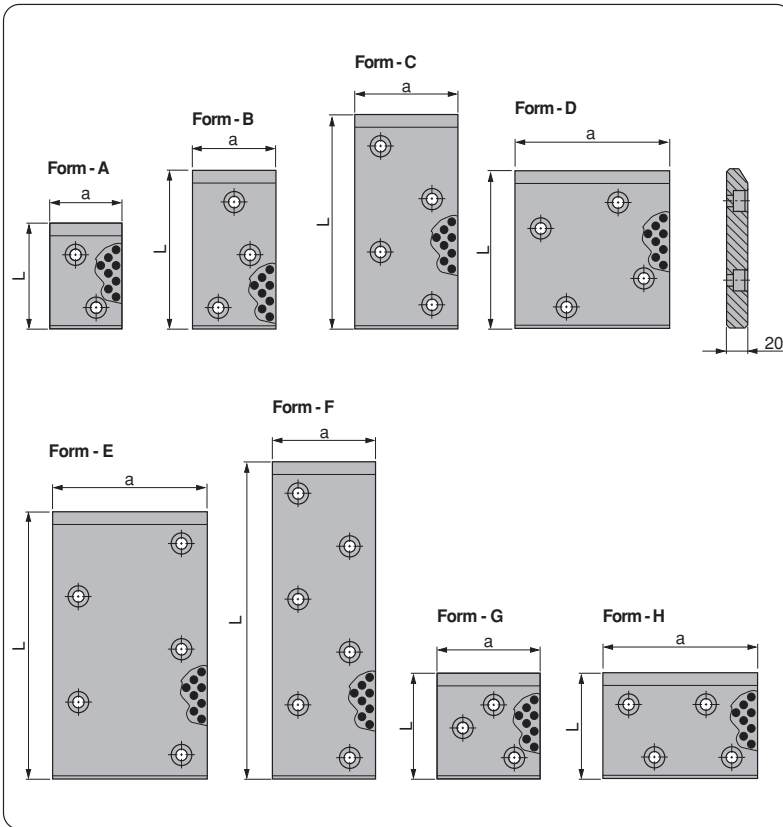
Material :
Locating Cone
X155CrMoV12 T6
Hardened
HRc :56 - 58

Adjusting Washer
100Cr6



RENAULT CODE:EM24.52.100/J

RENAULT Code	d2
R901 138 222	90
R901 138 223	110



Material :
Bronze with Non-Liquid Lubricant
HB ≥ 190



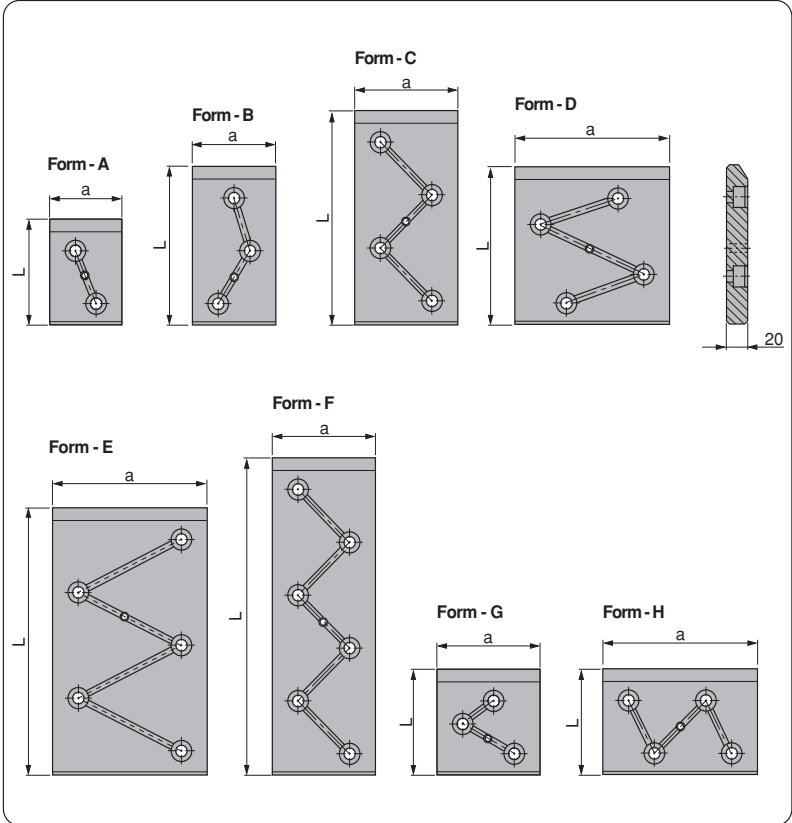
Direction of Motion

RENAULT CODE:EM24.52.300/C

RENAULT Code	Form	l	L
R100 092 843	A	70	100
R100 092 844	B	70	150
R100 092 845	C	70	200
R100 092 846	G	100	100
R100 092 883	D	100	150
R100 092 884	C	100	200
R100 092 885	E	100	250
R100 092 886	F	100	300
R100 092 887	H	150	100
R100 092 888	D	150	150
R100 092 890	C	150	200
R100 092 893	E	150	250
R100 092 894	F	150	300
R100 092 895	H	200	100



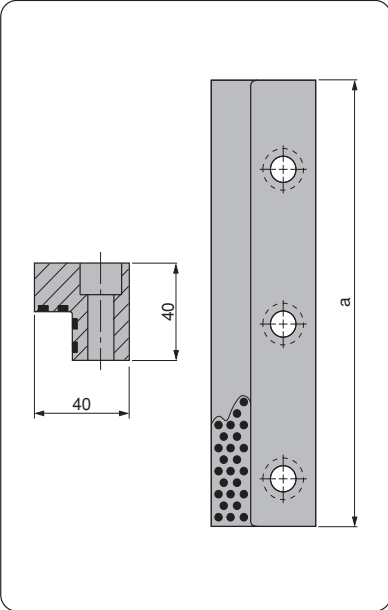
Material :
16MnCr5
Hardened
HRC 58 ÷ 60




RENAULT CODE:EM24.52.300/C

RENAULT Code	Form	l	L
P446 625 854	A	70	100
P446 626 558	B	70	150
P446 627 059	C	70	200
P446 625 855	G	100	100
P446 626 559	D	100	150
P446 627 060	C	100	200
P446 627 454	E	100	250
P446 627 754	F	100	300
P446 626 560	H	150	100
P446 626 561	D	150	150
P446 627 061	C	150	200
P446 627 455	E	150	250
P446 627 755	F	150	300
P446 627 062	H	200	100

RENAULT Code	l	Holes
M764 523 701	250	3
M764 523 702	160	2

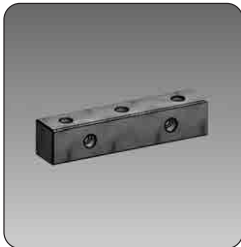
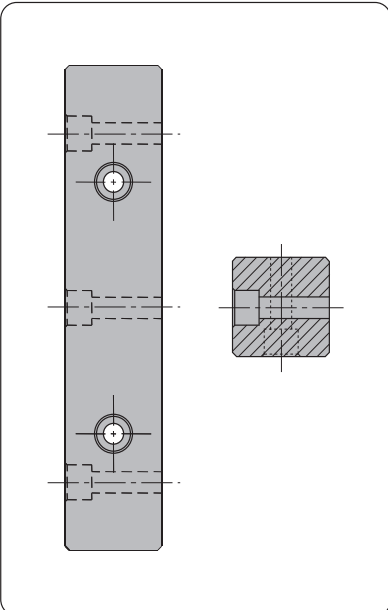


Material :
Bronze with Non-Liquid Lubricant
HB ≥ 190

Direction of Motion 

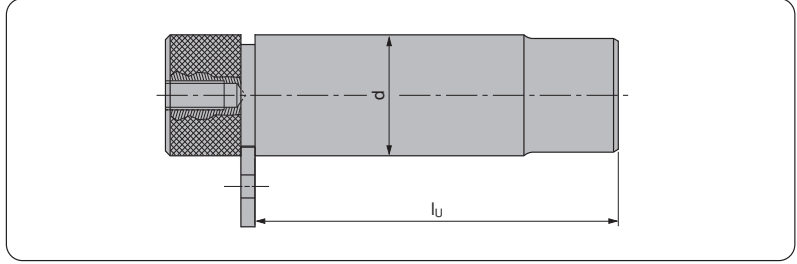
RENAULT Code: EM24.52.500/B

RENAULT Code
A07.20.50250



Material :
16MnCr5
Hardened
HRC 60 ÷ 62

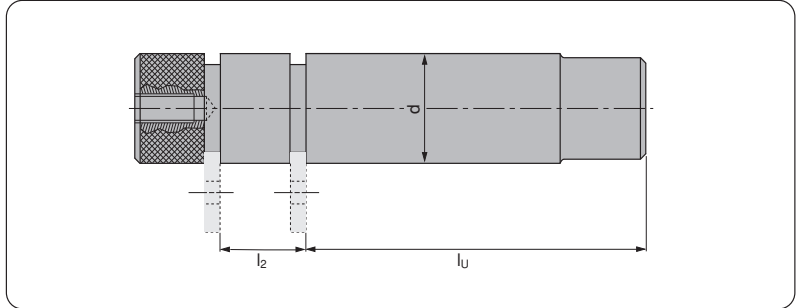
RENAULT Code: EM24.52.500/B



Material :
CK45

RENAULT Code	d	l _u
R100 306 188	20	81
R100 306 190	25	81
R100 306 191	25	98
R100 306 194	32	103
R100 306 198	32	148
R100 306 201	40	132
R100 306 204	40	192
R100 306 207	50	165
R100 306 209	50	220
R100 306 210	63	210
R100 306 213	63	250
R100 357 232	80	210

RENAULT Code: EM24.55.100/G

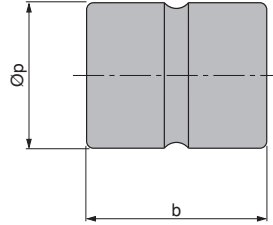


Material :
CK45

RENAULT Code	d	l _u	l ₂
R100 306 215	25	81	20
R100 306 217	25	98	20
R100 306 218	32	103	25
R100 306 219	32	148	25
R100 306 220	40	132	32
R100 306 221	40	192	32
R100 306 223	50	165	40
R100 306 225	50	220	40
R100 306 226	63	210	50
R100 306 227	63	250	50

RENAULT Code: EM24.55.100/G

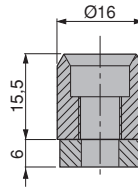
RENAULT Code	b	p
X346 566 000	45	25
X346 566 801	50	32
X346 567 400	60	40
X346 568 100	70	50
X346 568 700	80	63
X346 569 201	90	80



Material :
Elastomer 92 SH

RENAULT Code: EM24.55.100/G

RENAULT Code
P785 283 005



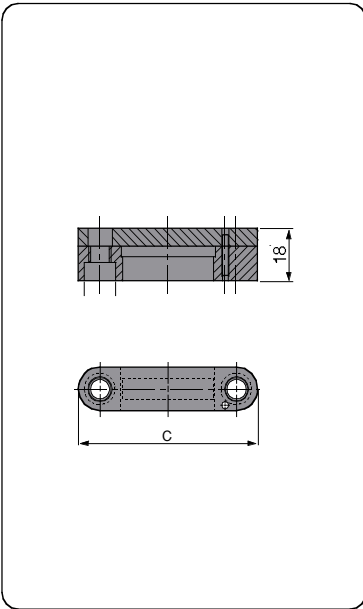
Material :
X153CrMoV12 T6
Hardened
HRC : 58 - 60

Material (Washer) :
CK45

RENAULT Code: EM24.59.500/J

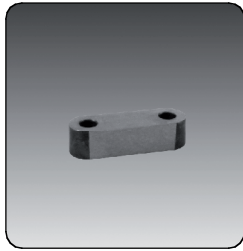


Material :
CK45

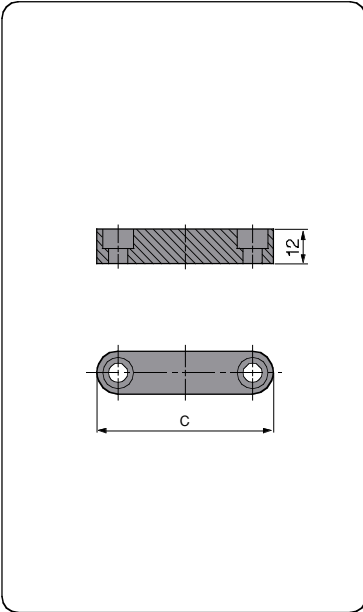


RENAULT Code	C	N° of punch	
		Thickness: 2 mm	Thickness: 4 mm
R100 050 232	47	8	4
R100 197 803	55	12	6
R100 050 234	63	16	8
R100 352 214	71	20	10

RENAULT Code: EM24.59.500/I



Material :
CK45



RENAULT Code	C	N° of punch	
		Thickness: 2 mm	Thickness: 4 mm
R100 050 235	47	8	4
R100 197 805	56	12	6
R100 050 236	63	16	8
R100 352 230	71	20	10

RENAULT Code: EM24.59.500/I